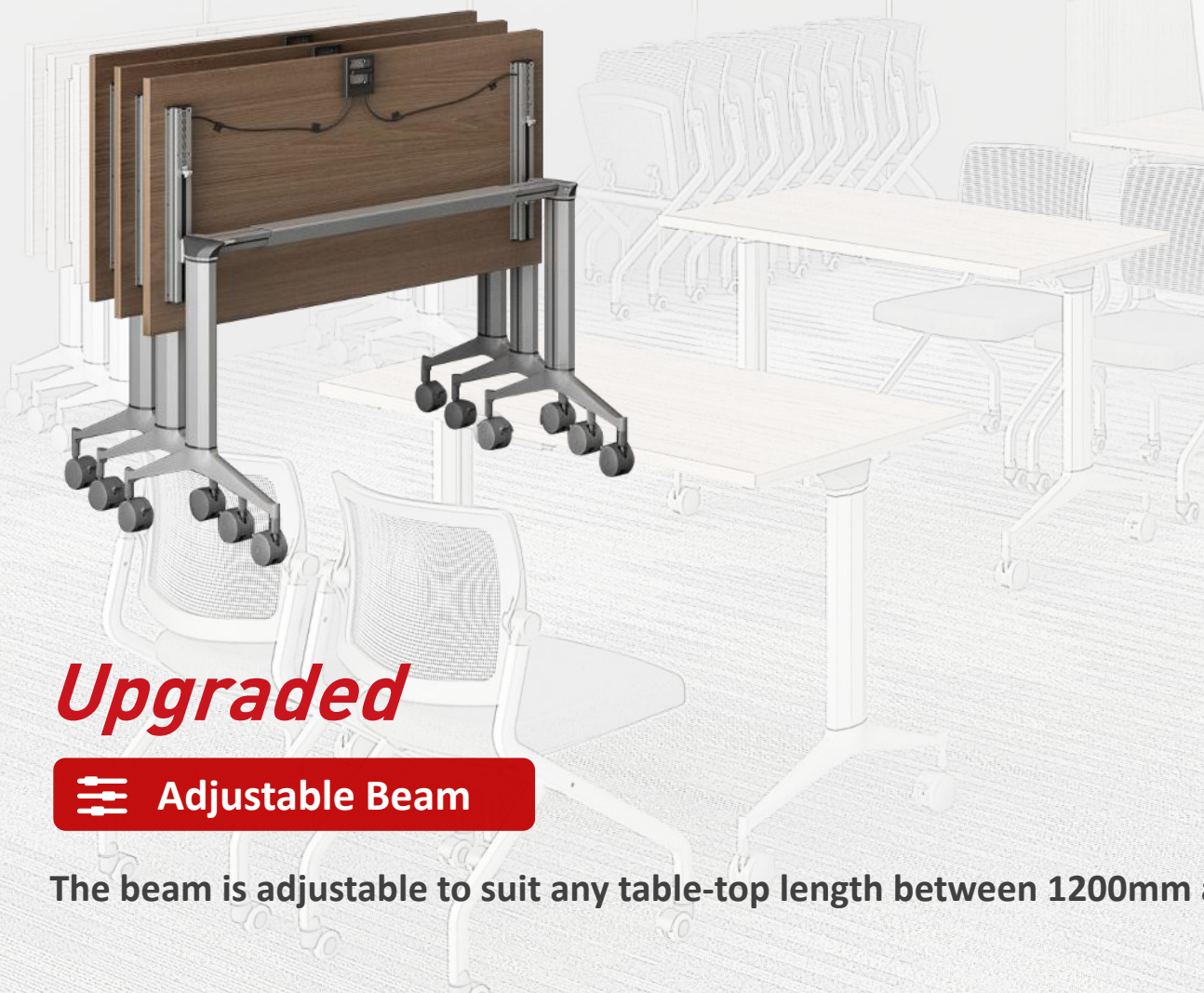


ViAspace



Upgraded

 **Adjustable Beam**

The beam is adjustable to suit any table-top length between 1200mm and 1800mm



Adjustable Beam

- **Usage versatility**

The beam is adjustable to suit any table-top length between 1200mm and 1800mm.

- **Reduce inventory, Free Up Warehouse Space**

Very often, determining demand is hard to estimate. To reduce inventory, please start from the length adjustable table understructure. *Upgraded Delvin* offers maximum capability with its adjustable beam.

With a very small package size of the table understructure (750*570*170 mm, 910 pcs in 40 HQ container), you could easily realize the reduction of inventory space.

DELVIN BENEFITS

As companies evolve, their meeting and learning spaces must adapt and work with everyday needs. Delvin plus that can be flipped, nested and movable is exactly what you need for versatility in a multi-function site.

Nested



Flipped



Training Room & Lecture Room



Meeting Room & Group Working



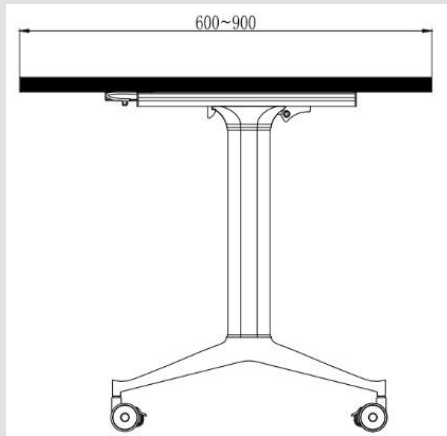
DELVIN BENEFITS



Mobility and storage
very easily flipped and nested



Single-handed operation
simple flip-top mechanism provides complete ease of use



Usage versatility
wide table top between 600 and 900mm to suit different spaces



Symmetrical metal frame
sitting at either or both sides of the table available



To maintain the same design style in different office environments, fixed table frames with glide and chairs are available.





Durable Structure: Aluminum Alloy Structure for optimal durability

Table top

Optional MFC (melamine faced chip board) or MDF (Medium-density fibreboard)

Modesty panel

Optional steel, MFC (melamine faced chip board), mesh fabric

Bracket/column/beam

1.8mm-thick extrusion aluminum, powder coated in white/black/silver

Base

3.0mm-thick moulded aluminum, optional chrome finish or powder coated in white/black

Castor

2.5 inch PU. (Optional standard or hollow castors)
Lockable castors ensure flexibility and complete stability.



OPTIONS

Modesty Panel

Articulated modesty panel kit or easy modesty panel kit mounted under table top

Material

- Table top: MFC/MDF
- Panel: MFC, perforated steel, mesh fabric



Without panel



MFC



Perforated Steel



Mesh fabric

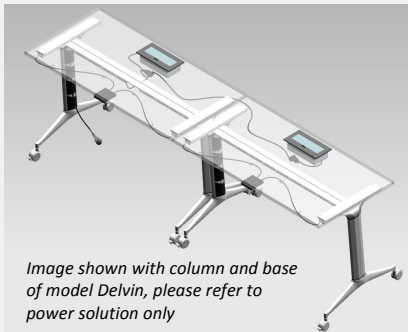


Image shown with column and base of model Delvin, please refer to power solution only



Power solution

- Power block includes power and data cabling
- Integrated cable management clips



Ganging kit

Easy to clamp wood tops



OPTIONS



Chrome Base Color



Standard: Die cast polished chrome base

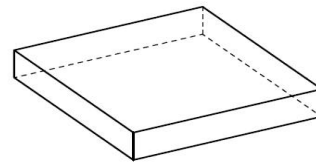


Optional: Powder coated in white and black

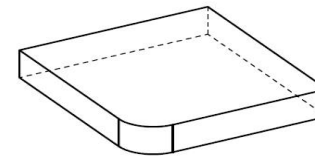


Table Top Corner Edge

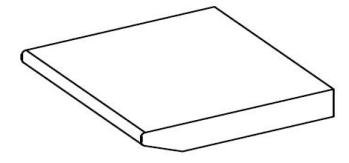
Optional square, round or knift corner edging



Square



Round



Knift



Wood Finishings



Navy blue Gray

North American

South Asian Teak

Norwe Oak

White Walnut

Rinaja Walnut

White Oak

Gray White

White

Wide range of accessories to work with Delvin workstation

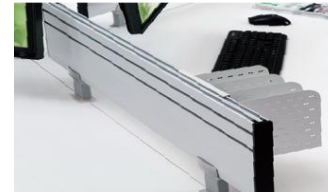
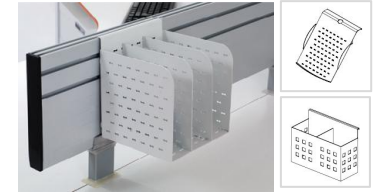


Table Top Screen
Aluminum alloy, ABS cover and steel base, complied with RoHS



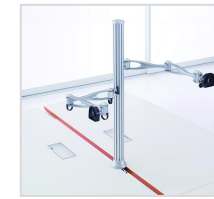
Table Top Screen
Polyester



File Holder/Telephone Holder /Pen Holder
Steel, powder coated, complied with RoHS



Table Top Cable Management
shard by face-to-face seats



Monitor Arm
Aluminum, clip-on installation



Monitor Arm
Aluminum arm, steel base panel-mount installation



Keyboard Tray
ABS or PP



CPU Holder
Steel, powder coated, 360° rotating



CPU Holder
ABS, moveable



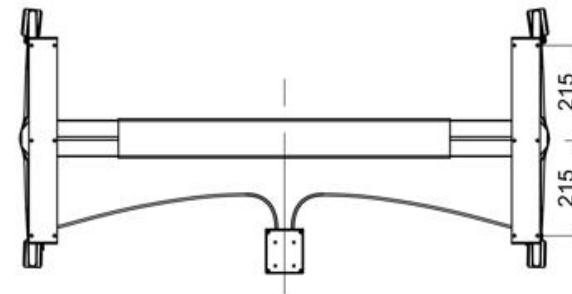
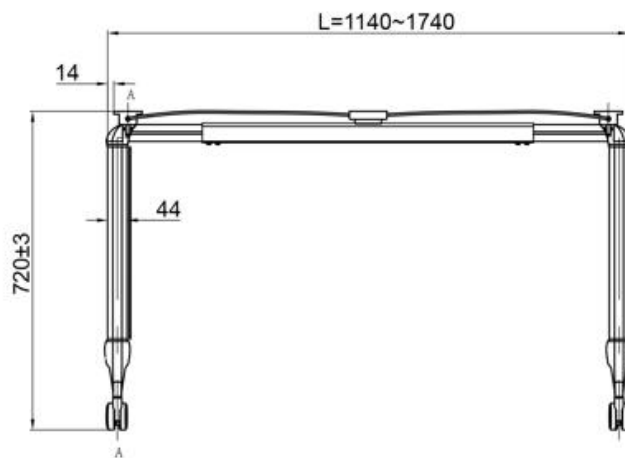
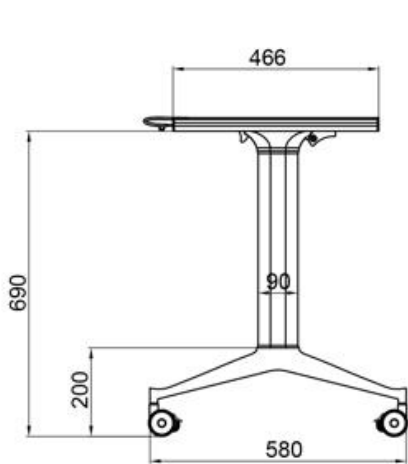
Moveable Cabinet
Steel, powder coated, with castors



Hanging Cabinet
Steel, powder coated,

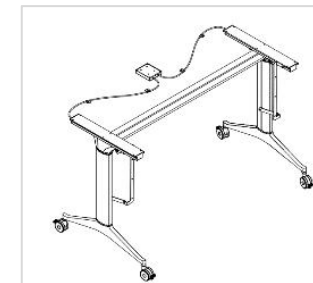
Workstation

DELVIN DIMENSIONS



Dimension (without modesty panel)			
	Length	Depth	Height
Metal frame	1140-1740mm	466mm (bracket) 580mm (base)	720mm
Table top	1200-1800mm	600-900mm	25mm

Dimension (with modesty panel)			
	Length	Depth	Height
Metal frame	1140-1740mm	466mm (bracket) 580mm (base)	720mm
Table top	1200-1800mm	600-900mm	25mm
Modesty panel	1200-1800mm	300mm	16mm

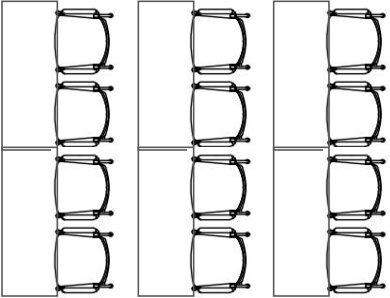


POPULAR CONFIGURATIONS

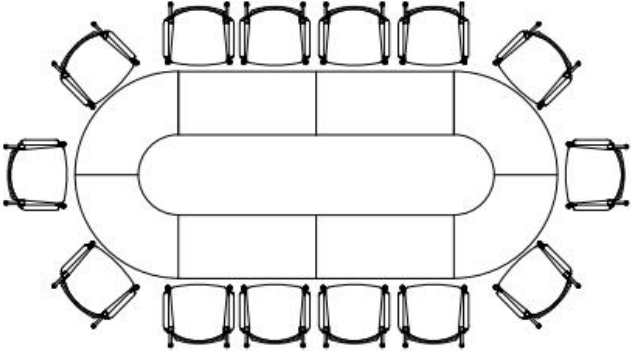


Shapes versatility

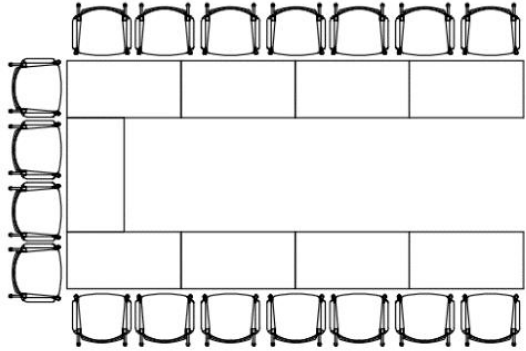
optional rectangular, trapezoid, crescent and more



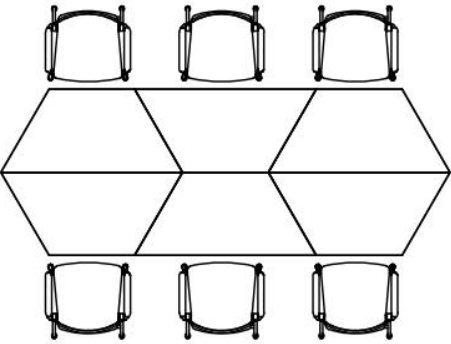
Training



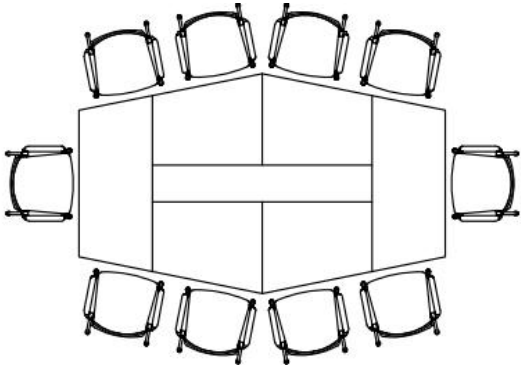
Oval



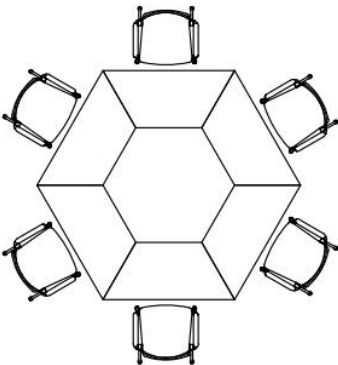
U shape



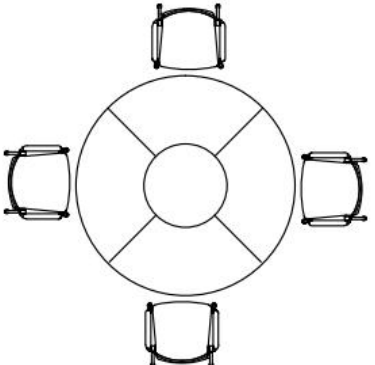
Elongated Hexagon



Elongated Hexagon



Regular hexagon



Round

Easy assembly: set up in just minutes with pre-assembled units

DELVIN LS-414 Assembly Instruction			
1			2pcs
2			4pcs
3			2pcs
4			1pc
5		M8*30	8pcs
6			2pcs
7			1pc
8		ST4*20	12pcs
9		ST4*14	8pcs
10			4pcs
11		∅8	8pcs
12			1pc
13			2pcs