



WINNT

Do what you like versatility beyond your imagination

Training Chair

DESIGN CONSIDERATIONS

Being environmental friendly is our utmost priority, our seat does not utilise wood and glue. All materials are recyclable



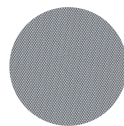
PRODUCT SERIES



FABRIC



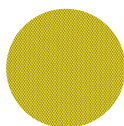
FC-1



FC-2



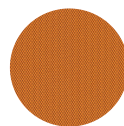
FC-3



FC-4



FC-5



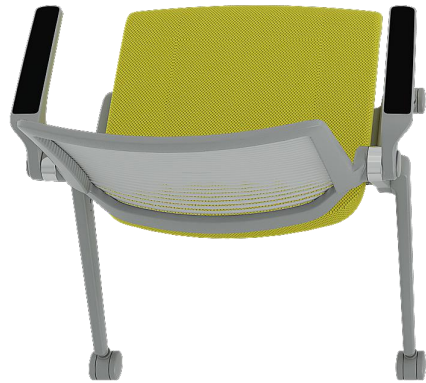
FC-6

FRAME



FE-B

PRODUCT SERIES



FABRIC



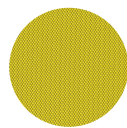
FC-1



FC-2



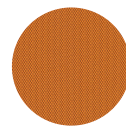
FC-3



FC-4



FC-5



FC-6

FRAME

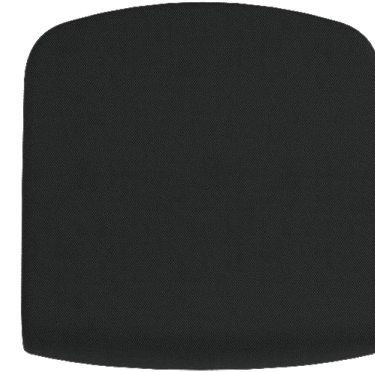


FE-G

ACCESSORIES



Backrest



Seat cushion



Tablet



Frame



Cup holder /
CASTERS



Handrest

FEATURES

Backrest

The backrest of the chair is made up of durable nylon and fiber on the back frame and elastic nylon on the front frame. The spacing of the horizontal strip spacing is 6mm. The combination of these materials increased comfort and ergonomic feature of the chair.

The back of the chair can be tilted 8 degrees to increase comfort and relieve fatigue during long hours seating.



Seat cushion

The seat cushion is made of **moulded foam**, the density is 65KG/cubic. This is in accordance to CA117 **flame retardant**.

As part of our efforts to promote protect the environment, NO wood board and glue is used in the manufacturing of the seat. Fabric seat cover can be easily dismantled for cleaning or change of colour if required.



FEATURES

Cup holder

Cup holder can be added on the left or right side to meet different needs.



Removable Armrest

Armrests can be added if required.



Tablet

A versatile chair which can allow add on of tablet (size: 395mm x 260mm) if required. Tablet is made of iron tube of 2.0mm paint tube, connecting fasteners made of polished aluminum alloy. Allowing the table to withstand the load of up to 50KG

As part of our efforts to promote protect the environment, NO wood board and glue is used in the manufacturing of the seat. Fabric seat cover can be easily dismantled for cleaning or change of colour if required.



FEATURES

Armrest

The armrest can be adjusted up and down. It is made of nylon, fiber and aluminum alloy



INTERCHANGABLE LEG BASE

The chair allows interchangeable between castors and glider. Both are made of solid nylon materials which is suitable for both carpet and solid wood flooring.

The castors and glider is easily interchangeable as we have utilise KD installation method



FEATURES

NEST AND STACK

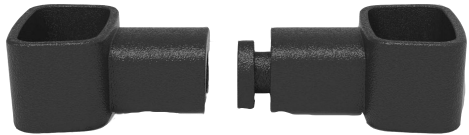
Stack up or Nest to make good use of space.



FEATURES

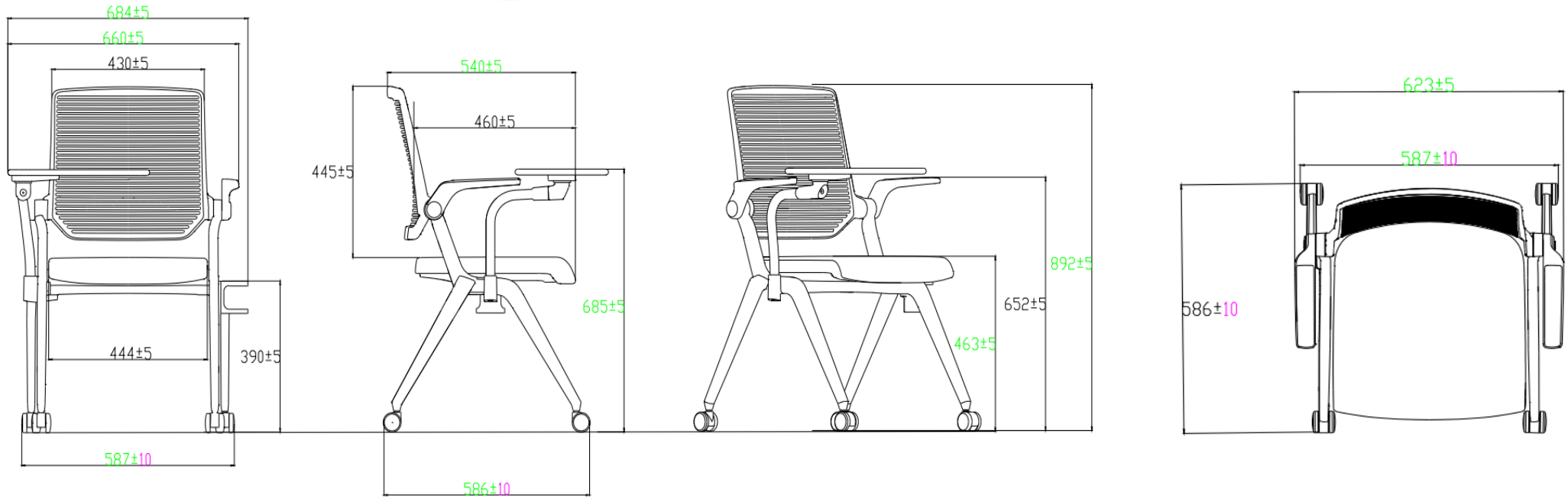
Chair Connectors

Fastening connector allows easy horizontal connection to achieve neat seminar style configuration



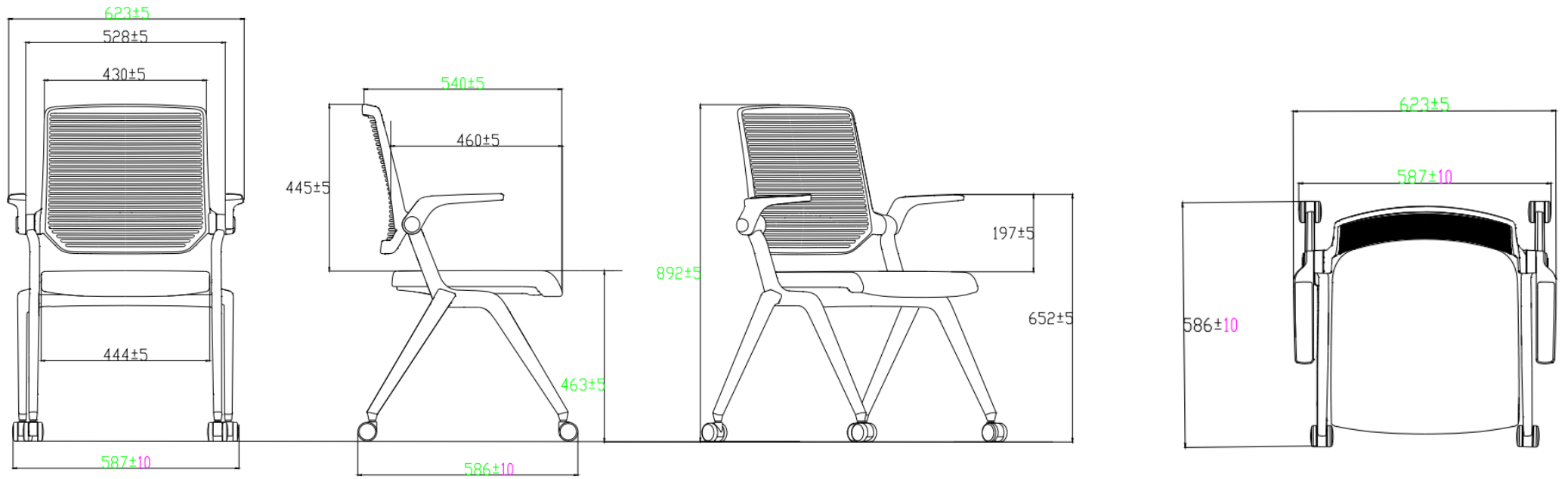
SPECIFICATIONS

WINNT-1



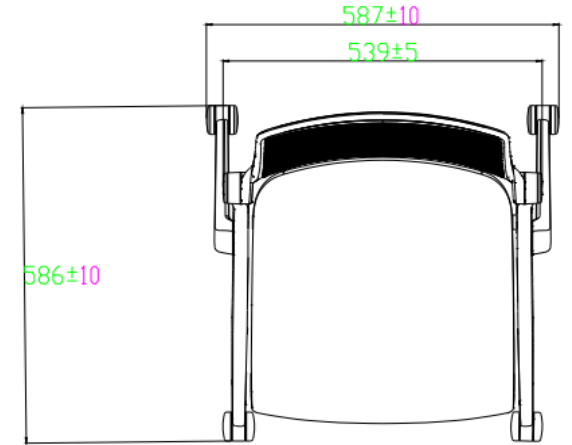
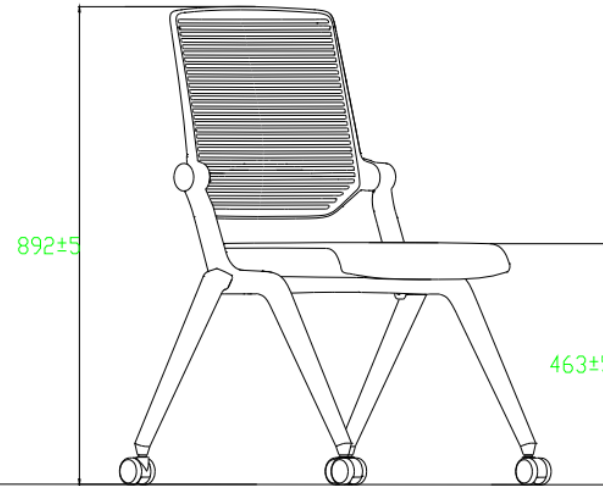
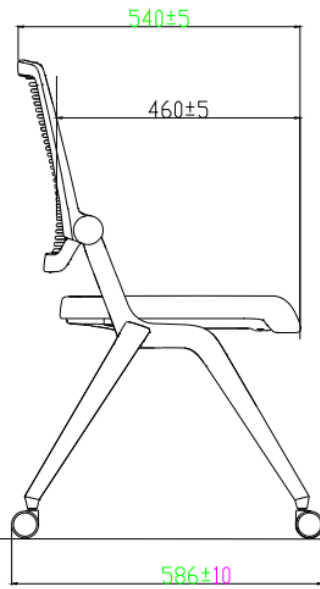
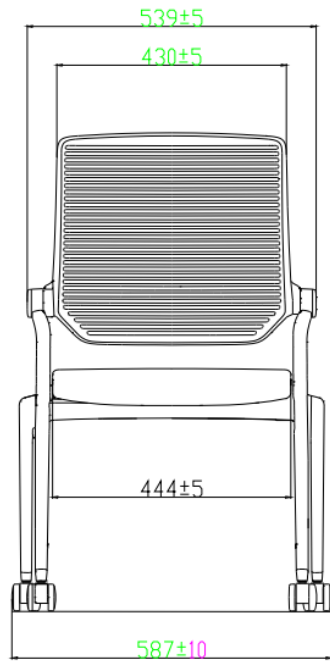
SPECIFICATIONS

WINNT-2



SPECIFICATIONS

WINNT-3

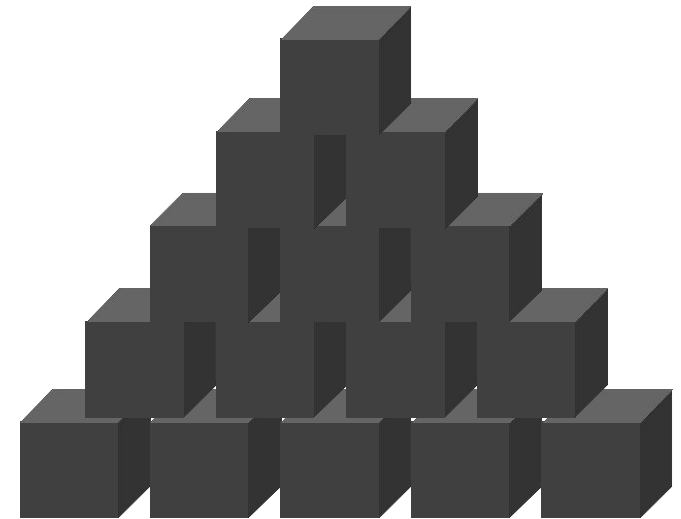
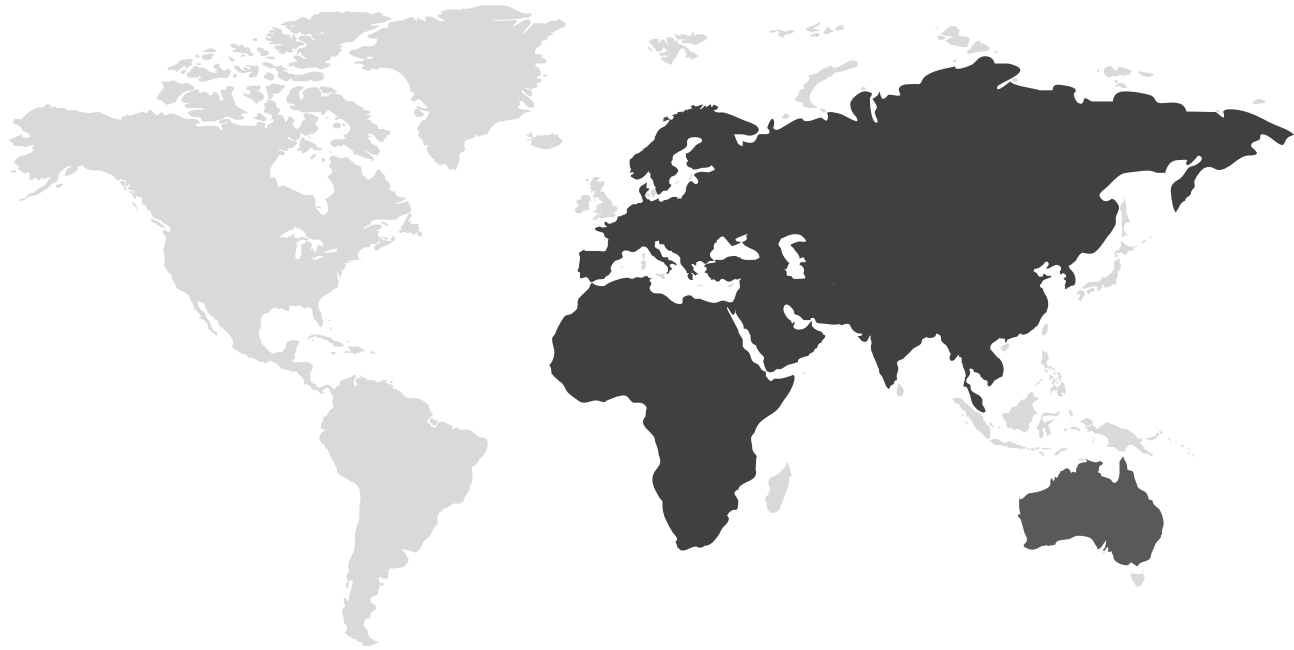






WINNT





For customers can reduce the inventory

WINNT

THANK YOU

Training Chair